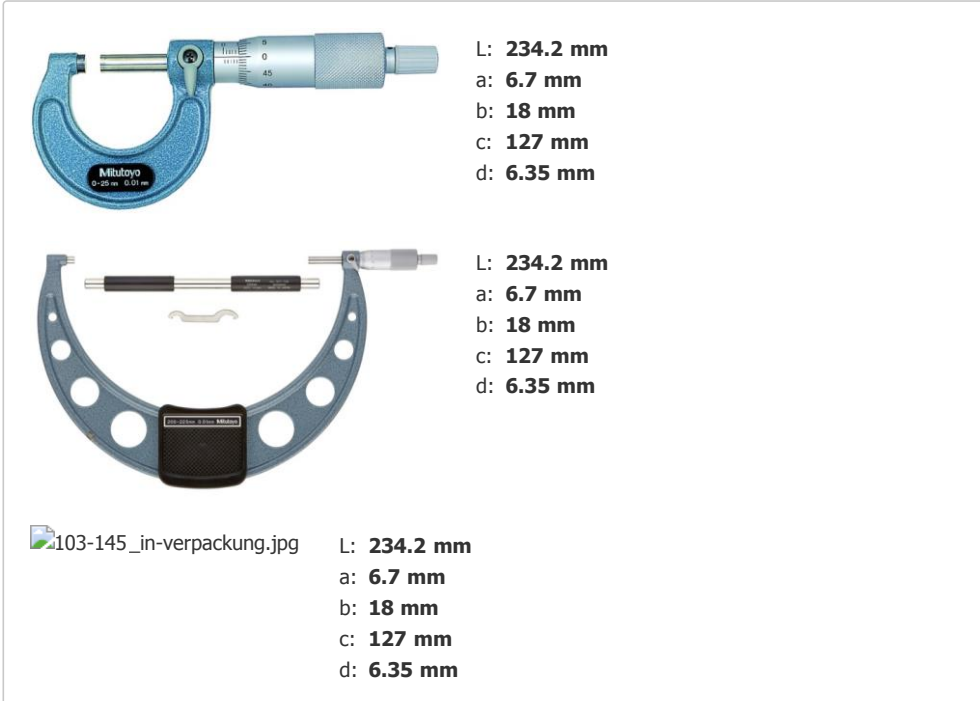


Outside Micrometer Economy Design

Item number: 103-145-10



Images

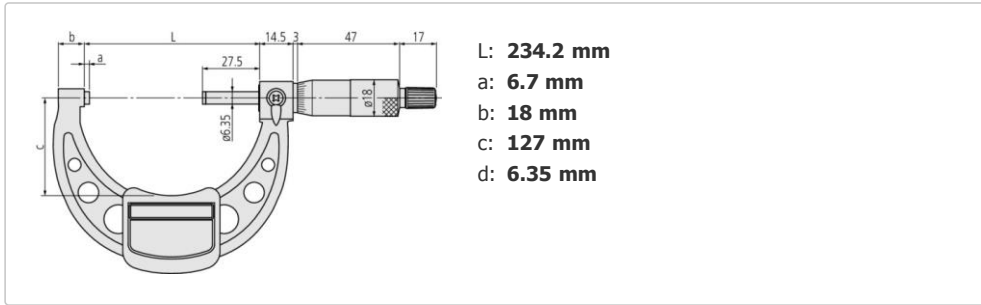


Description

A Mitutoyo basic, cost effective, non-digital micrometer with a ratchet stop to guarantee repeatable measurement.

Features

Digital/Analog:	Analog
Inch-Metric:	Metric
Range:	200-225 mm
Graduation:	0,01 mm
Maximum Permissible Error J MPE:	±4 μm
Flatness:	0,6 μm
Parallelism:	4 μm
Measuring face:	Carbide-tipped, micro-lap finish
Mass:	1080 g
Measuring spindle:	With spindle lock, ø6,35 mm (≤300 mm) ø 8 mm (>300 mm) , spindle pitch 0,5 mm
Scale:	Thimble and sleeve satin chrome finish, ø18 mm
Measuring force:	5 - 10 N
Delivered:	Including box, setting standard (from 25 mm upward), key, certificate of inspection (0-50 mm range)



Dimensions

Accessories

Optional accessories:



**Micrometer Stand
for Micrometer 100-300mm/5-12"**
156-102

Suggested retail price: **619.00 €***

Standard accessories:



**Micrometer Setting Standard
Length: 200mm**
167-108

Suggested retail price: **49.00 €***

پتروفهان گستر جنوب

FGJ-NDT.IR

DIGINDT.IR

+982165565901

+982144584619

+989034119385