



Features:

Maximum Light Intensity: $> 70,000\text{cd/m}^2$, $>400,000\text{LUX}$

Easily View > 5.0 Density

Pure White LED Light

50,000 Hour Lamp Life

Low Power Consumption

Fan cooling

Foot Switch

Uniform Viewing Area: 98% Full Screen

Dimmer Control: 0% to 100% continuous

Surface temperature: $<18^\circ$

Built-desktop stand

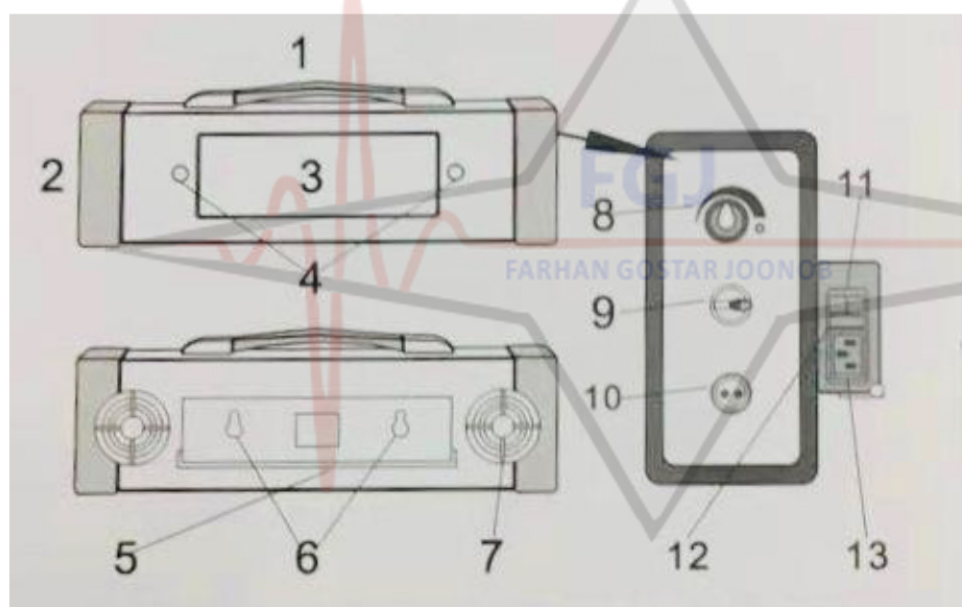
Design: Modern, Stylish and Simple

Power Requirements: 85-264VAC/47-60Hz

The power adapter: AC: 90-264VAC / 47-63Hz DC: 12V 5A

Safety Regulation and Electromagnetic Compatibility

Schematic diagram:



1. Handle
2. Cover
3. Viewing screen
4. Substrate-mask Magnetic adsorption
5. Built-desktop stand
6. Hanging hole
7. Cooling fan
8. Brightness adjustment knob

9. Mode switch
10. Foot switch socket
11. Power switch
12. Fuse
13. Power outlet

HUATEC GROUP CORPORATION
www.huatecgroup.com

Specifications:

Adapter Input voltage	85-264VAC / 47-60Hz DC: 12V 5A Power: 48W
Maximum Light Intensity	>70,000 Cd/m ² , 400,000lux
Film density	>4.0D According to the inspection report
Surface temperature	<18°Celsius Continuous operation for 24 hours)
Uniform Viewing Area	98% Full Screen
Dimmer Control	0% to 100% continuous
Control mode	Manual + Foot-switch
Cooling Method	Forced air cooling
Dimensions	425mm*65mm*130 mm (L*W*H)
Viewer window	220mm*80mm (L*W)
Viewing-mask window	200 mm*40 mm (L*W)
Weight	2.5 KG

Package Contents:

LED viewer 1pc

Power adapter 1pc

Cigarette lighter adapter 1pc

Foot switch 1pc

AC power cord 1pc

Viewing mask 1pc

Magnetic film holder 2pcs

Magnetic ruler 1pc

User's manual 1pc

Calibration certificate 1pc

HUATEC GROUP CORPORATION
www.huatecgroup.com



DC power warning:

Continuous use of DC power in the vehicle may cause battery discharge! Warning: ensure



that the vehicle's cigarette lighter socket supports 12VDC 5A power consumption. Do not connect the LED viewer to an unverified DC power supply - it may damage the LED viewer and the vehicle!

1. Unplug the DC plug from the DC socket (12) on the side of the viewer.
2. Connect the power cord of the attached cigarette lighter to the DC socket (12).
3. Connect the DC power cable to the cigarette lighter port of the vehicle. After completing the above steps.
4. The power switch (8) on the right control panel of LED viewer is in three positions: off, on and foot switch mode
5. Turn the power switch (8) to on. Adjust the brightness control (7) on the right control panel to the desired intensity.
6. If you want to control through the foot switch, please select the foot switch mode on the power / mode switch (8), and then press the foot switch.

+982165565901

+982144584619

+989034119385

پتروفرهان گستر جنوب

FGJ-NDT . IR

DIGINDT . IR