

Technical Data Sheet

Pressure / Temperature / Humidity / Air Velocity / Airflow / Sound level

Thermocouple thermometers TK 110 – TK 112

KEY POINTS

- Adjustable alarms
- Adjustable backlight
- Hold-min-max functions
- Selection of units

TECHNICAL FEATURES

Measuring elements	Thermocouple K, J, T ou S
Channels number	TK110 : 1 channel TK112 : 2 channels
Display	4 lines, LCD technology. Sizes 50 x 36 mm. 2 lines of 5 digits with 7 segments (value) 2 lines of 5 digits with 16 segments (unit)
Boîtier	ABS, protection IP54
Clavier	5 keys
Connector engineering	Compensated miniature female connectors
Conformité	Directives EMC 2004/108/CE and EN 61010-1
Power supply	4 batteries AAA LR03 1.5 V
Battery life	180 hours
Ambience	Neutral Gas
Operating temperature	From 0 to +50 °C
Storage temperature	From -20 to +80 °C
Auto shut-off	Adjustable from 0 to 120 min
Weight	210 g

SPECIFICATIONS

Models	Measuring units	Measuring range	Accuracy ¹	Resolution
Thermocouple probes (see related data sheet)				
Thermocouple K	°C, °F	From -200 to +1300 °C	±1.1 °C or ±0.4% of reading value*	0.1 °C
Thermocouple J	°C, °F	From -100 to +750 °C	±0.8 °C or ±0.4% of reading value*	0.1 °C
Thermocouple T	°C, °F	From -200 to +400 °C	±0.5 °C or ±0.4% of reading value*	0.1 °C
Thermocouple S	°C, °F	From 0 to 1760 °C	±1 °C or ±0.4% of reading value*	0.1 °C

¹All accuracies indicated in this document were stated in laboratory conditions and can be guaranteed for measurements carried out with required compensation.

* The accuracy is expressed either by a deviation in °C, or by a percentage of the value concerned. Only the bigger value is considered.

+982165565901

+982144584619

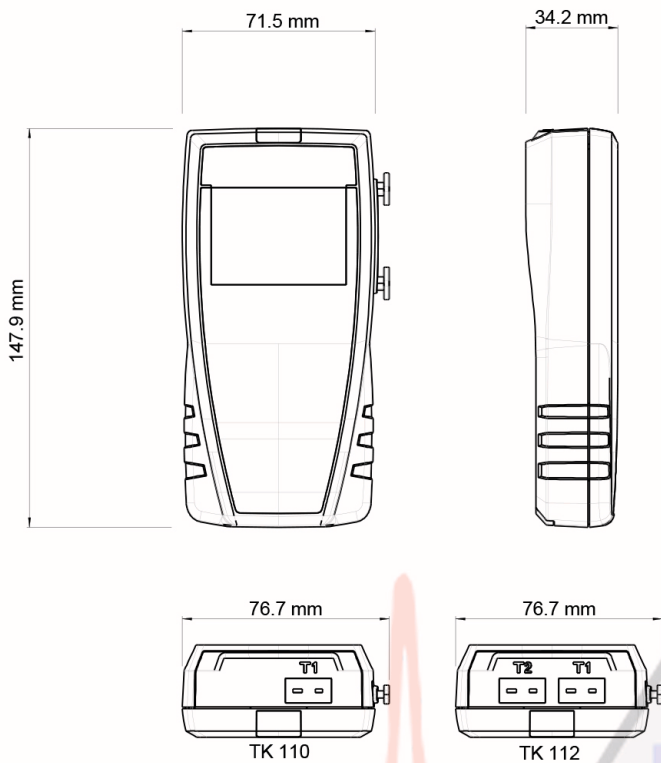
+989034119385



FUNCTIONS

- Selection of temperature units
- Adjustable alarms
- Hold function
- Display of minimum and maximum values
- Configurable auto shut-off
- Backlight
- Delta temperature (TK112)

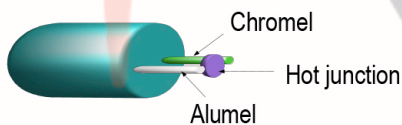
DIMENSIONS



OPERATING PRINCIPLES

According to the Seebeck effect, when two wires composed of different metals are joined at both ends, an electric circuit is formed. This voltage varies according to the measured temperature.

Thermocouple K example



GUARANTEE

Instruments have 1-year guarantee for any manufacturing defect (return to our After-Sales Service required for appraisal).

+982165565901

+982144584619

+989034119385

SUPPLIED WITH

- Instruments are supplied with :
 - Calibration certificate*
 - Transport case (ref : ST 110)



*Except TK112 S

ACCESSORIES

CQ 15 : Magnetic protective housing



RTE : Telescopic extension, length 1m, with index at 90°

Thermocouple temperature probes

Black ball Ø 150 mm with stuffing box for temperature probe Ø 4.5 mm. Other on request.

MT 51 : ABS transport case



MAINTENANCE

We carry out calibration, adjustment and maintenance of your instruments to guarantee a constant level of quality of your measurements. As part of Quality Assurance Standards, we recommend you to carry out a yearly checking.

پتروفرهان گستر جنوب

FGJ-NDT.IR

DIGINDT.IR