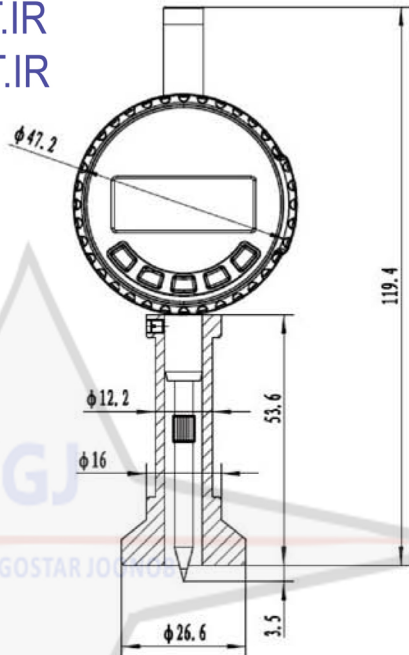


SURFACE PROFILE GAUGE

TMR100

پتروفرفهان گستر جنوب

DIGINDT.IR
FGJ-NDT.IR



This is a low cost option to surface profile measurement. The size of this unit makes it easy to use and easy to balance on the surface. The special stepped foot and 30deg sharp needle ensures measurements meet the requirements of ASTM 3894.5-2002 (Surface Profile), and as far as we can ascertain it is the only gauge available which complies with the requirements of this Australia Standard. Design of the unit permits accuracies equivalent to an electronic surface trace.

Gives maximum peak to average valley height. This gauge actually works, and works well.

This Gauge works on grit sand shot blasted and saw cut surfaces.

The Digital gauge can also measure, the depth of pits, cracks, craters and scratches of the outer (in some instances it would do the inside) surfaces of steel structures, pipes and concrete. Enables quick assessment of surface condition.

If a hole is made in the coating to the substrate, the gauge will also function as a coating thickness gauge.

Max Range 0-6.5mm, pre set to 500µm can be operator changed.

Resolution 0.001mm; Accuracy; ±2µm

Max Range 0.2inch, Resolution 0.00005inch.

Available as metric/imperial.

The reading maximum range is user adjustable.



+982165565901



+982144584619



+989034119385



Tehran, Tehransar