

1/16 DIN On-Line Controller

pH · ORP / Conductivity · TDS



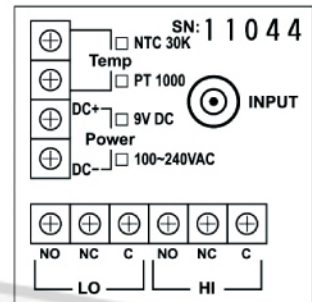
4801P pH/ORP Controller



4801C Conductivity/TDS Controller

Features

- Compact 1/16 DIN size fits into standard industry panel cutouts.
- Microprocessor based for fast, reliable and accurate measurements.
- Easy to calibrate by one keyboard.
- The large backlight LCD display Readings and Temperature simultaneously.
- Optional NEMA-4X gasket lens cover fits over front bezel of controller-made of watertight corrosion resistant ABS plastic.



Rear Panel Connection

Specifications

4801P	pH	ORP	Temp.
Range	-2.00~16.00 pH	-1999 ~ -200 mV -199.9 ~ 499.9 mV 500 ~ 1999 mV	0~110 °C
Accuracy	±0.01+1 digit	±2+1 digit	±0.2+1 digit
Resolution	0.01 pH	0.1/1 mV	0.1 °C
Compensation	ATC: 0~100 °C	N/A	

4801C	Conductivity	TDS	Temp.
Range	0.0~ 199.9 µS 200~ 1999 µS 2.00~ 19.99 mS 20.0~ 100.0 mS	0.0~131.9 ppm 132~1319 ppm 1.32~13.19 ppt 13.2~66.7.0 ppt	0~110 °C
Accuracy	±2% FS	±2% FS	±0.2+1 digit
Resolution	0.1/1µS/0.01/0.1 mS	0.1/1ppm/0.01/0.1ppt	0.1 °C
Compensation	ATC: 0~50 °C	ATC: 0~50 °C	

Deadband	pH: 0.00 to 2.00 pH ORP: 0 to 200 mV Conductivity: 0 to 200µS or 2.0mS TDS: 0 to 200 ppm or 2.0 ppt
Temperature Compensation	4801P: ATC (0-100 °C) via 30K or Pt-1000 or MTC 4801C: ATC (0-50 °C) via 30K or Pt-1000 or MTC
Limit Relays (2)	SPDT contacts rated for 5A at 115V
Relay status indicators	Front panel LED lamp
Power supply	9V DC or 100~240V AC (Alternative)
Panel Cutout	1/16th DIN 1.81 x 1.81" (46 x 46mm)
Meter Dimensions	4.7 x 1.77 x 1.77" (105 x 45 x 45mm)

Standard Accessories

- 9V DC/AC(100~240V) adaptor (DC version only)
- Adapter connection wire (DC version only)
- Optional: NEMA-4X gasketed lens cover



NEMA-4X cover

+982165565901

+982144584619

+989034119385

پتروفرهان گستر جنوب

FGJ-NDT.IR

DIGINDT.IR