

wintact®

MODEL: WT87A

Digital Anemometer Instruction Manual

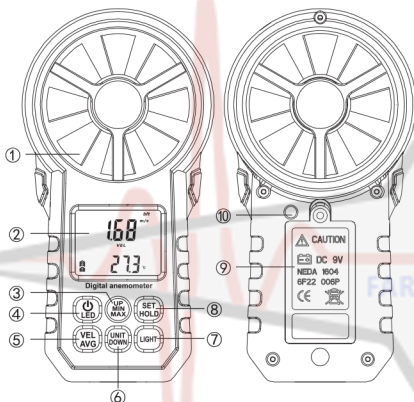


A. Function

1. Measurement of wind speed and temperature
2. Wind cold indicator
3. Switch wind speed units
4. Real-time measurement of wind speed and average wind speed
5. Measurement of maximum wind speed and minimum wind speed
6. Switch between Fahrenheit and Celsius unit
7. Timed automatic shutdown (automatic shutdown after 10mins of no button operation)
8. LED lighting

B. Instruction of parts and LCD display

(1). Instruction of parts (as shown in picture)

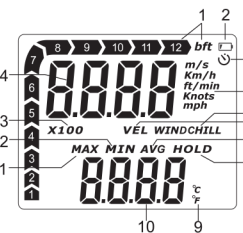


- ①. Fan blades
- ②. LCD display
- ③. Up/Maximum/Minimum mode
- ④. Power/backlight
- ⑤. Average wind speed measurement
- ⑥. Switch of wind speed units/ Down
- ⑦. LED lighting
- ⑧. Data holding/Setting
- ⑨. Battery door
- ⑩. LED lighting

(2). Instruction of LCD display (as shown in picture)

1. Beaufort wind scale
2. Low battery indicator
3. Timing automatic shutdown indicator
4. Wind speed unit: m/s, km/h, ft/min, knots, mph
5. Wind cold indicator

6. Wind speed icon
7. Average wind speed
8. Data holding
9. Temperature unit
10. Temperature display area
11. Maximum wind speed
12. Minimum wind speed
13. X10 times, X100 times (X10 appears when the value exceeds 99.99, X100 appears when the value exceeds 999.99)
14. Display area of wind speed



C. Operation instruction

- 1. Power on/off:**
After installing batteries, press "ON/LED" button to turn on the instrument, LCD display comes in full screen for 1s, and the buzzer lets out two beeps (if the buzzer is on); the instrument enters normal measurement mode of real-time wind speed and temperature. Long press "ON/LED" button for at least 2s to turn it down.
- 2. LCD backlight:**
After powering on, press "ON/LED" button to turn on/off LCD backlight.
- 3. Maximum/minimum mode:**
Under normal mode, press "MAX/MIN" button to enter measurement mode, which measures maximum and minimum wind speed in real time. Short press "MAX/MIN" button again to return to normal mode.
- 4. Data holding:**
Under normal mode, press "SET/HOLD" button to hold wind speed value when "HOLD" appears on the LCD; short press "SET/HOLD" button again to return to normal mode.
- 5. Measurement of average wind speed:**
Under normal mode, short press "VEL/AVG" button to switch to measurement of average wind speed, which is the average value of 30 current wind speed values, and "AVG" icon appears on the LCD; short press "VEL/AVG" button again to return to normal mode.
- 6. Selection of wind speed unit:**
Short press "UNIT/DOWN" button to select different wind speed unit in turn.
- 7. LED lighting:**
Under normal mode, short press "LIGHT" button to turn on/off LED lighting.
- 8. Setting of temperature unit:**
Long press "SET/HOLD" button for 2s to enter setting mode; "ELE" icon appears on display area of wind speed, indicating that the temperature measurement mode is on. Short press "UNIT/DOWN" to switch to Celsius unit, short press "UNIT/DOWN" to switch to Fahrenheit unit and the corresponding temperature value will display. Long press "SET/HOLD" button for 2s to save setting and return to normal mode. (the setting is automatically saved if the instrument shuts down)

9. Automatic shutdown setting:

Long press "SET/HOLD" button for 2s to enter setting mode. Short press "SET/HOLD" button again until "OFF" appears on display area of wind speed, indicating that automatic shutdown setting is on. Short press "UNIT/DOWN" button to turn on timing shutdown, and short press "UNIT/DOWN" button to turn off timing shutdown. Long press "SET/HOLD" button for 2s to save setting and return to normal mode. (the setting is automatically saved if the instrument shuts down)

10. Buzzer setting:

Long press "SET/HOLD" button for 2s to enter setting mode. Short press "SET/HOLD" button twice to until "bu2" appears on display area of wind speed, indicating that the buzzer setting is on. Short press "UNIT/DOWN" button to turn on buzzer, short press "UNIT/DOWN" button to turn off buzzer. Long press "SET/HOLD" button for 2s to save setting and return to normal mode. (the setting is automatically saved if the instrument shuts down)

D. Technical Parameters

A. Wind velocity measurement				
Unit	Measurement range	Resolution	Threshold	Accuracy
m/s	0~30	0.01	0.3	±5% ±0.1
ft/min	0~5860	1.968	60	±5% ±20
knots	0~55	0.019	0.6	±5% ±0.2
km/h	0~90	0.036	1	±5% ±0.4
mph	0~65	0.022	0.7	±5% ±0.2
B. Wind temperature measurement				
Unit	Measurement range	Resolution	Accuracy	
°C	-10°C~+45°C	0.1	±2°C	
°F	14°F~113°F	0.2	±3.6°F	
Battery	9V battery (6F22)			
Temperature sensor	Negative Temperature Coefficient Resistance			
Operation temperature	-10°C~+45°C(14°F~113°F)			
Operation humidity	Less than 90%RH			
Storage temperature	-10°C~+50°C(14°F~122°F)			
Current consumption	About 6mA			
Weight	184g(including battery)			
Size	165x85x39mm			

Specific Declarations:

Our company shall hold no any responsibility resulting from using output from this product as a direct or indirect evidence. We reserves the right to modify product design and specification without notice.



Version: WT87A-EN-00

+982165565901

+982144584619

+989034119385

پتروفرهان گستر جنوب

FGJ-NDT.IR

DIGINDT.IR