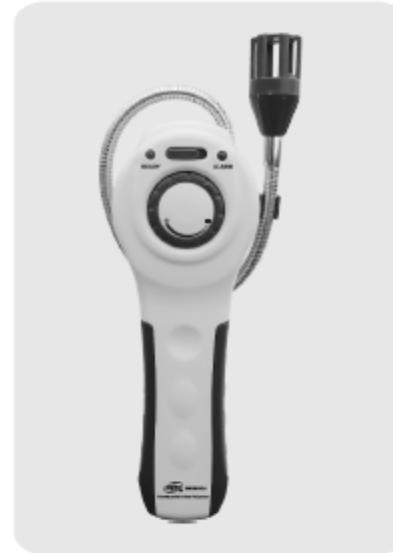


پتروفهان گستر جنوب



MODEL: GM8800A

## Combustible Gas Detector Instruction Manual



+982165565901  
+982144584619  
+989034119385

[FGJ-NDT.IR](http://FGJ-NDT.IR)  
[DIGINDT.IR](http://DIGINDT.IR)

CE  Version: GM8800A-EN-0

Tehran, Tehransar

## Specification

1. Response time: 2 seconds
2. Warm-up time: 60 seconds approx (25°C, 60%RH environment)
3. Continuous operating time: 8 hours (varying with operating status)
4. Low battery indication:  $3 \pm 0.2V$
5. Operating environment temperature: 0~50°C
6. Detectable control
7. Sensor reset
8. Power & Alarm LED indication
9. Power: 3\*1.5V LR14 batteries
10. Working current: about 150mA
11. Product size : 76\*51.4\*220mm

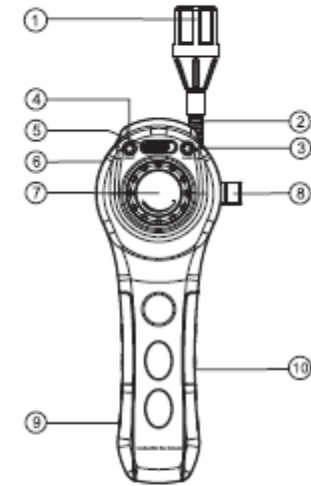
## Operation environment

To keep the reliable and precise output, please operate the product in the environment conditioned below:  
Temperature: 32~120°F, 0~50°C  
Humidity: 10~90%RH (non-condensation)

## 2. Operation manual

### Device and indication device

- (1) Sensor tip and built-in sensor
- (2) Goose neck
- (3) Alarm indication
- (4) Power indication
- (5) Power on toggle switch
- (6) Earphone socket
- (7) Beep sound rate adjustment
- (8) Sensor clip
- (9) Handle
- (10) Battery door



### Operation instruction

Open the unit in clean environment with switching to on position, when the battery is full the green LED will be on and the unit is to be warmed up for 1 minute and reset to zero automatically. Persistent sound of ticking alarm lies in that the sensitivity of rotary dial adjusted beforehand is not down to the lowest level.

## Brief

This product one-hand-operated can detect the leaked gas indoors with its slim goose neck sensor, and alarm if gas leaks.

## Technical index

Sensitivity:	50ppm Methane
Ensor Type:	Low Power Semiconductor
Warm-up Time:	60 seconds
Response Time:	2 seconds
Operation Cycle:	Continual Operation
Sensor Size:	16 Inches
Power Supply:	3 C-type bayyeries
Battery Life:	Continual Use For 8 Hours
Alarm Limit:	Lel 10% Of Methane


Lel means lowest explosive level that the gas may explode in the air when being fired.


## Application and characters

Hand-hold design allows you operating easily and the visual and acoustical alarm can detect the gas resource precisely. And the adjustable beep rate helps to decrease the polluted gas density in the air.

- High sensitivity
- Quick find the resource of leakage
- Indicating the leakage via alarming bulb
- High precision sensor able to detect slight gas leakage
- Quick response
- Monophony earphone socket
- 16-inch long goose neck

## International safety knowledge

 This operation must refer to instruction.  
Please be careful.

 Complying with eu standard

Explosion-proof sign: Ex ib IIB T3 Gb

## Beep rate(sensitivity) adjustment

Before operate this product, a quick functional test must be performed. Adjust the ticking rate to a non-alarm level and the instrument will detect flammable gas after warm-up. When the probe is exposed to a known gas source such as unburned lighter gas (butane) or flowing flammable gas, the "ticking" sound begins to intensify when the sensor at the top of the probe detects flammable gas and the instrument will set off alarm, with warning light (red light) flashing. Continuous ticking will arise due to gas concentration if the operation environment needs to be quiet, or the environment is noisy, you can use the headset. (Insert the headset into the headphone jack on the upper left side of the instrument). Please be noted that the alarm and beep may sound very loudly. If the ready led or the battery is too low please replace the battery immediately. Low battery may impact the safety reliability of the product.

The beep sounds quicker and quicker if the sensor is approaching the gas resource closer and closer. And you may use the dial at the center of the product to control the beep rate.

Rotate the knob anticlockwise to slow down the beep sound rate.

In clean environment, the typical rate is set within range 4-8 times per second, when the sensor is approaching the gas resource, it sounds quicker, to isolate the gas resource, rotate the knob anticlockwise slight.

## Replacing battery(Note: Please replace batteries in safe environments)

If the instrument have following status, Please replace the 1.5V LR14 alkaline batteries:

- The yellow READY LED is out
- No other LED is on as turning on the unit.

Follow the steps below to replace the battery.

- (1) Put the unit back upside
- (2) Take off the protective cover of the unit to open the battery door.
- (3) Take out the battery
- (4) Insert 3 fresh batteries.
- (5) Please do not install batteries backwards.

## Replacing sensor

The sensor of the unit can provide reliable service for years, it must be replaced only if the sensor is immersed into liquid or Long-term storage at high temperature and acid environment.

- 1.Turn off the unit
- 2.Take out the sensor cap
- 3.Take out the old sensor
- 4.Replace them with new sensor and cap
- 5.Restart the instrument and carry out 'operation check' step