

پتروفرهان گستر جنوب



**FGJ-NDT.IR**  
**DIGINDT.IR**

+982165565901  
+982144584619  
+989034119385

CE  Version: GM63A-0



MODEL: GM63A

## Vibration Meter User's Manual



 Tehran, Tehransar

## Attentions

### Warning

When making measurements on exposed rotating parts or power train parts of machinery, proceed with utmost care to prevent accidents due to getting caught in the machinery.

### Caution

If the unit shook excessively, the receiver may produce extremely high sound pressure that hurts human ear , be careful in process of using the signal output plug.

## Warranty

1. About relative warranties please read warranty card.
2. We disclaim any liability due to: client's transportation damages; incorrect use or operation; manipulation, alterations or repair attempts; without warranty card, invoice.

## Check-up

Carefully unpack your kit and ensure that you have the following items. In case that any item is missing or if you find any mismatch or damage, promptly contact your dealer.

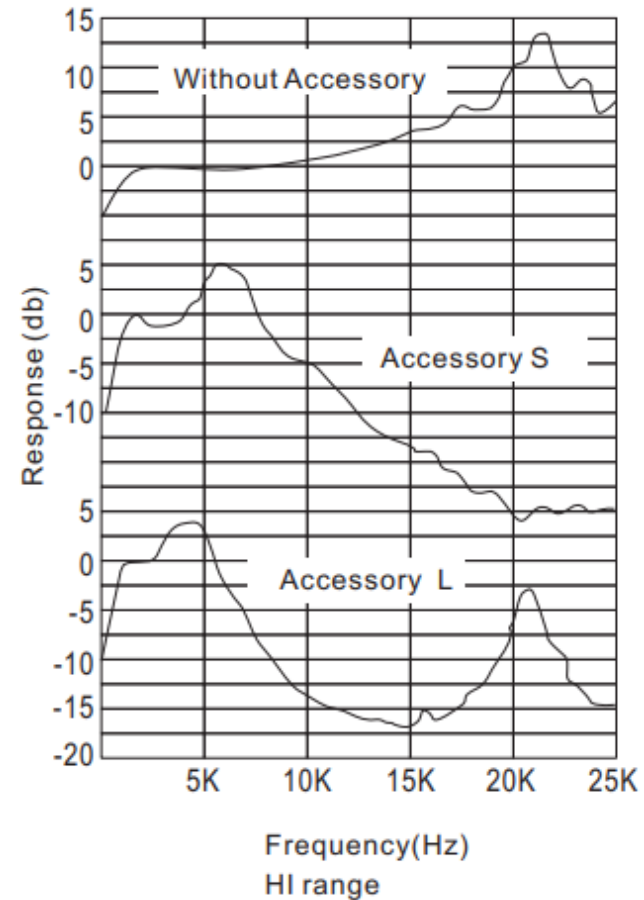
- |  |      |
|--|------|
| <input type="radio"/> Vibration meter                        | 1PCS |
| <input type="radio"/> 9V Alkaline battery                    | 1PCS |
| <input type="radio"/> User's manual                          | 1PCS |
| <input type="radio"/> Long probe                             | 1PCS |
| <input type="radio"/> Short probe (Equiped on the main unit) | 1PCS |
| <input type="radio"/> PP packing box                         | 1PCS |

## Introduction

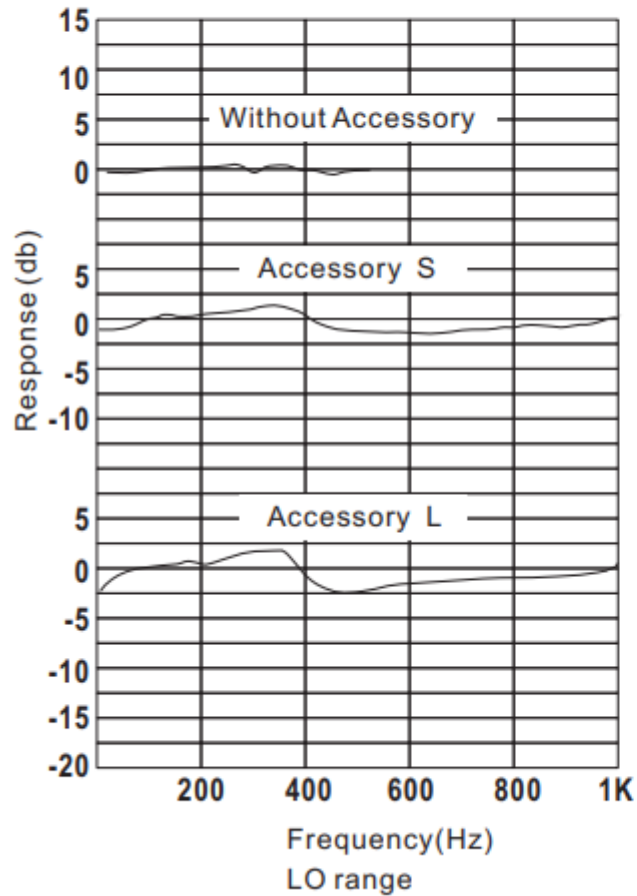
This product adopts piezoelectric effect of artificial polarized ceramic for design. It is suitable for monitoring all kinds of vibrating mechanical facility, specially the vibration measurement of rotating and reciprocating machinery. The unit can measure acceleration, velocity and displacement, which is widely used in mechanical manufacture, electric power metallurgy and general aviation etc.

## Features

- Simple to use, the structure is compact, portable for carrying along with measurement.
- Visually display measurement value and state.
- Acceleration, velocity and displacement measurement.
- Different vibration frequency selection.
- High sensitivity probe for accurate measurement Provides long and short probe head, each one is suitable for different situation measurement.
- Equipped with AC signal output interface.
- Low power indication.
- Auto power-off.
- LCD backlight.



**Contact resonance in acceleration measurement:  
(worked with FFT signal analyzer)**

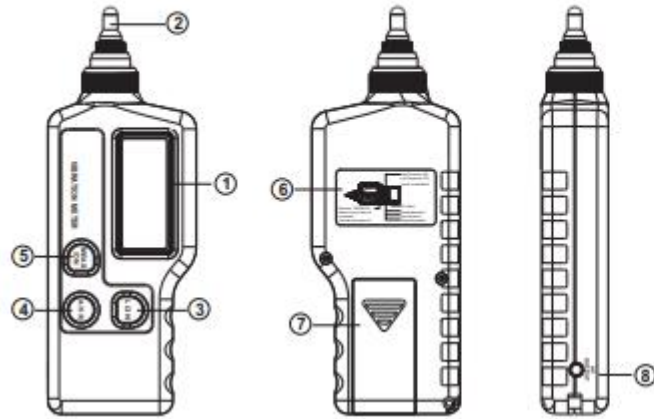





**Specifications**

Technical parameter	Technical specification
Vibration pickup	Piezoelectric ceramic accelerometer (shear-type)
Measurement range of acceleration	0.1~199.9m/s <sup>2</sup> peak
Measurement range of velocity	0.1~199.9mm/s rms
Measurement range of displacement	0.001~1.999mm p-p Velocity and displacement range is limited by acceleration 199.9m/s <sup>2</sup>
Measurement accuracy	± 5% ± 2digits
Measurement frequency range of acceleration	10Hz~1KHz (LO) 1KHz~15KHz (HI)
Measurement frequency range of velocity	10Hz~1KHz (LO)
Measurement frequency range of displacement	10Hz~1KHz (LO)
Displays update cycle	1 second
LCD display	3 1/2 digits display
Single output	AC output 2 V peak (display full scale) Load impedance 10K Ω or more earphones can be connected
Power supply	9V Alkaline battery
Static current	≤ 20 μ A
Operating current	≤ 25mA
Battery life	20 hours continuous use
Auto power-off	Turns off automatically in 60 seconds
LCD backlight	7 seconds
Operating temperature range	0~40℃
Operating humidity range	30~90%RH
Low battery indication	6.9V ± 0.2V
Dimensions	67x30x183mm

## پتروفرہان گستر جنوب

### Diagram of the product



- 1). LCD screen
- 2). Probe
- 3).  Frequency selection key (only in acceleration measurement)
- 4).  Measurement mode (acceleration / velocity / displacement) selection key
- 5).  Power on and measurement key, Press once to turn on the unit, Keep pressing during the measuring process, Release it to hold the data.
- 6). Quick instruction label
- 7). Battery door
- 8). AC signal output jack

### Vibration conversion chart

