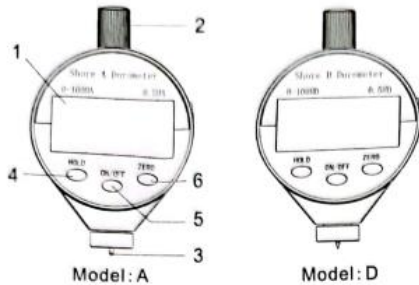




Product Instruction

Please read the product instruction carefully and use the product correctly under the instruction



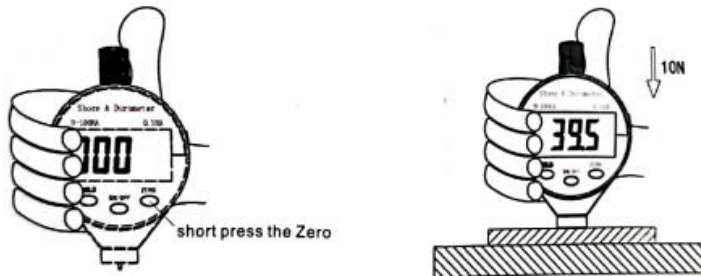
1. Product Figure and Buttons

1. LCD: display measured values
2. Dust cap: prevent foreign bodies from entering the product
3. Probe base (measuring head): contact the object to be measured
4. HOLD button: short press to lock/unlock the indicating value
5. ON/OFF button: short press to start/shut down
6. ZERO button: short press to set zero

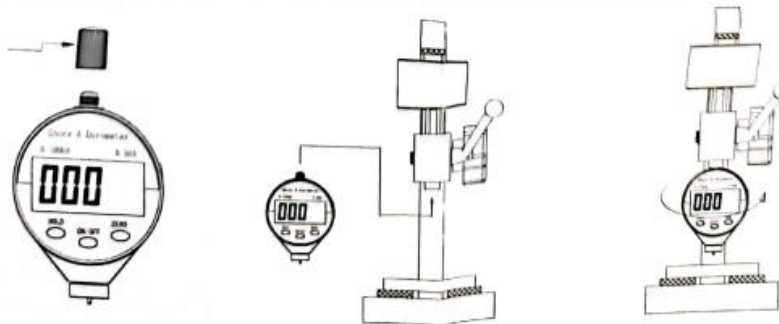
2. Use steps

Method 1: handheld use:

Turn on, short press the Zero button to set the measuring tool to zero, and the screen shows "000" then place the material to be tested on the glass plate or steel plate or other hard plane, hand hold the measuring tool close to the material to be tested, apply the force of approximately 10N(1KG force) to put the measuring probe base onto the material to be tested, read the Ha hardness of the material directly from the digital screen.



Method 2: use with the test platform: 1) Turn on, short press the Zero key to set the measuring tool to zero. Take off the dust cap by rotating it to the right, then rotate counterclockwise the measuring tool into the thread installation hole in the test frame and fasten, adjust the position knob on the test frame to make the screen face to the user for easy to look at, now the installation is finished



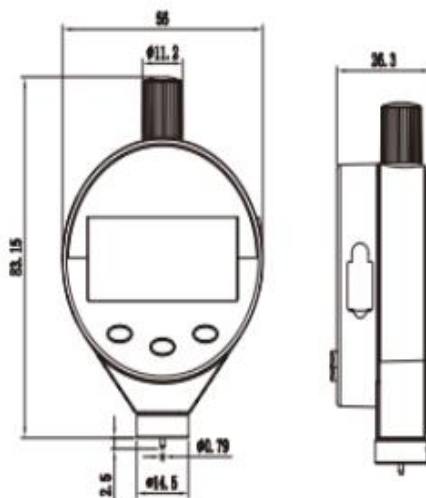


邵氏硬度计
Shore Durometer

DS220A
DS220D

- * 相对式容栅测量系统
- * 3V锂电池CR2032, 电池寿命>1年
- * SPC数据输出

- * Incremental capacitive measurement system
- * 3V lithium battery CR2032, battery life > 1 year
- * SPC data output



| 货号 Item | 规格 SPEC | 分辨率 Resolution | 精度(公差带) Accuracy(Tolerance Range) |
|------------|------------|-------------------|--------------------------------------|
| DS220A | 0-100HA | 0.5HA | 2HA |
| DS220D | 0-100HD | 0.5HD | 2HD |