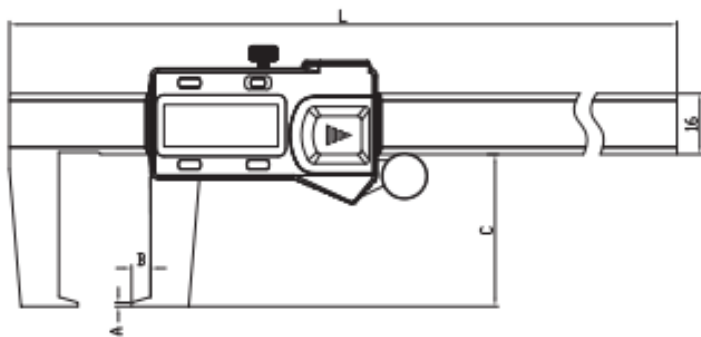


SPC-B+C-04
SPC-W1-RS,RS2
SPC-W2-RS,RS2
SPC-W3-RS

精度更高，可靠性更好
Higher precision, reliable

- * 电感测量系统
- * IP65防护等级
- * 3V锂电池CR2032，电池寿命>1年
- * 带SPC数据接口
- * 用于测量外凹槽等

扁头外凹槽数显卡尺
Outside slot measuring digital caliper



- * Inductive measurement system
- * IP65 Protection grade
- * 3V Lithium battery CR2032, battery life > 1 year
- * SPC data output
- * Can measure the outside dimension such as outside slot

	A(mm)	B(mm)	C(mm)	L(mm)
0-150mm	1	5	40	250
0-200mm	1	7	50	300
0-300mm	1.5	8	60	405

货号 Item	规格 SPEC	分辨率 Resolution	精度(公差带) Accuracy(Tolerance Range)
YDA100B-150	0-150mm/0-6"	0.01mm/0.0005"	0.03mm/0.0015"
YDA100B-200	0-200mm/0-8"	0.01mm/0.0005"	0.03mm/0.0015"
YDA100B-300	0-300mm/0-12"	0.01mm/0.0005"	0.04mm/0.0015"