



Water-Proof Digital Height Gauge with inductive measuring system



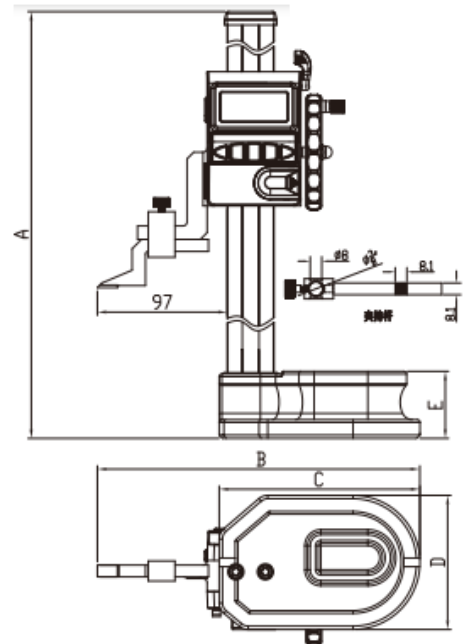
HDE650M
HDE650MW

SPC

数据输出

SPC-B+C-04
SPC-W1-RS,RS2
SPC-W2-RS,RS2
SPC-W3-RS

- * Inductive measurement system
- * IP65 Protection grade
- * 3V Lithium battery CR2032, battery life> 1 year
- * SPC data output(To built in wireless transmission model, the SPC output port is unavailable)
- * Built in wireless data transmission (optional)
- * External digital data input function, no need to repeat dial "0" to achieve rapid detection
- * Built in external power port



	A(mm)	B(mm)	C(mm)
0-300mm	492	241	150
0-600mm	796	274	183
	D(mm)	E(mm)	
0-300mm	100	50	
0-600mm	120	57	

货号 Item	规格 SPEC	分辨率 Resolution	精度(公差带) Accuracy(Tolerance Range)
HDE650-300/HDE650W-300	0-300mm/0-12"	0.01mm/0.0005"	0.03mm/0.001"
HDE650-600/HDE650W-600	0-600mm/0-24"	0.01mm/0.0005"	0.05mm/0.002"
HDE650M-300/HDE650MW-300	0-300mm/0-12"	0.001mm/0.00005"	0.02mm/0.0008"
HDE650M-600/HDE650MW-600	0-600mm/0-24"	0.001mm/0.00005"	0.04mm/0.0015"