

Digital Indicator for Bore Gage



IDA910-BM
IDA910W-BM

SPC
数据输出

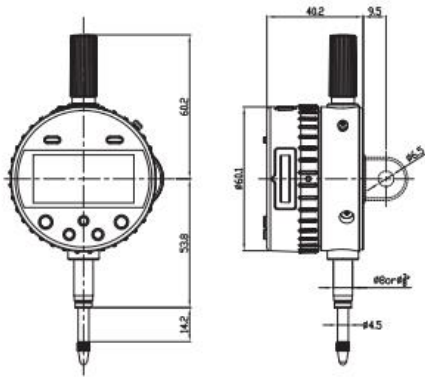
-ABS→

SPC-B+C-04
SPC-W1-RS,RS2
SPC-W2-RS,RS2
SPC-W3-RS

- * Absolute capacitive measurement system
- * IP54 Protection grade
- * 3V Lithium battery CR2032, battery life > 1 year
- * SPC data output (To built in wireless transmission model, the SPC output port is only used as external power input port)
- * Built in wireless transmission (optional)
- * Absolute origin set at any position
- * "+" or "-" direction set
- * Minimum data tracing function can find the diameter measured automatically



IDA910-BN
IDA910W-BN



货号 Item	规格 SPEC	分辨率 Resolution	精度(公差带) Accuracy(Tolerance Range)	重复性 Repeatability
IDA910-BM/IDA910W-BM	0-12.7mm/0-0.5"	0.001mm/0.00005"	0.003mm/0.00012"	0.001mm/0.00005"
IDA910-BN/IDA910W-BN	0-12.7mm/0-0.5"	0.001mm/0.00005"	0.01mm/0.0005"	0.003mm/0.00015"