

Digital Indicator with Absolute Capacitive system



IDA920N

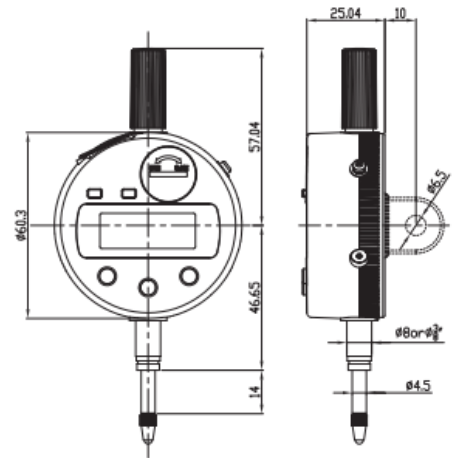
SPC
数据输出

SPC-B+C-04
SPC-W1-RS,RS2
SPC-W2-RS,RS2
SPC-W3-RS

-ABS-

- * 绝对式容栅测量系统
- * IP54防护等级
- * 3V锂电池CR1130, 电池寿命>1年
- * 带SPC数据输出
- * 可在任意位置设置绝对原点
- * 可设置公差, 并进行GO/NG判断
- * 可设置“+”“-”显示方向

- * Absolute capacitive measurement system
- * IP54 Protection grade
- * 3V Lithium battery CR1130, battery life > 1 year
- * SPC data output
- * Absolute origin set at any position
- * Tolerance preset and GO/NG judgement
- * "+" or "-" direction set



货号 Item	规格 SPEC	分辨率 Resolution	精度(公差带) Accuracy(Tolerance Range)	重复性 Repeatability
IDA920N	0-12.7mm/0-0.5"	0.01mm/0.0005"	0.015mm/0.001"	0.01mm/0.0005"