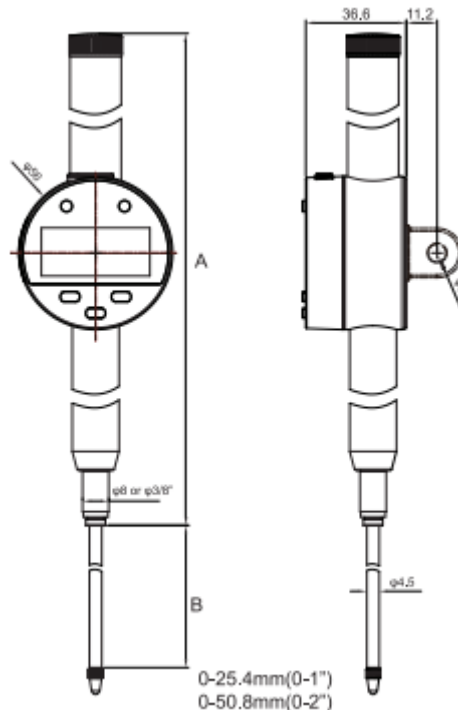


Water-Proof Digital Micro Indicator with inductive measuring system



IDE111M
IDE111MW



SPC
数据输出

iP65

SPC-B+C-01
SPC-W1-RS1,RS3
SPC-W2-RS1,RS3

- * 电感测量系统
- * IP65防护等级
- * 3V锂电池CR2032, 电池寿命>1年
- * 带SPC数据输出(内置无线传输机型, SPC输出端口仅作为外部电源供电输入端口)
- * 内置无线传输(可选择)
- * 可设置公差, 并进行GO/NG判断
- * 可设置“+”“-”显示方向
- * 模拟指针

- * Inductive measurement system
- * IP65 Protection grade
- * 3V Lithium battery CR2032, battery life > 1 year
- * SPC data output(To built in wireless transmission model, the SPC output port is only used as external power input port)
- * Built in wireless transmission (optional)
- * Tolerance preset and GO/NG judgement
- * "+" or "-" direction set
- * Analog pointer display

| | A(mm) | B(mm) |
|-----------------|-------|-------|
| 0-25.4mm(0-1") | 129.2 | 27 |
| 0-50.8mm(0-2") | 179.7 | 52 |
| 0-101.6mm(0-4") | 281.8 | 103.4 |

0-25.4mm(0-1")
0-50.8mm(0-2")
0-101.6mm(0-4")

| 货号 Item | 规格 SPEC | 分辨率 Resolution | 精度(公差带) Accuracy(Tolerance Range) | 重复性 Repeatability |
|----------------------|------------------|-------------------|--------------------------------------|----------------------|
| IDE111M/IDE111MW-12 | 0-12.7mm/0-0.5" | 0.001mm/0.00005" | 0.007mm/0.0003" | 0.003mm/0.0001" |
| IDE111M/IDE111MW-25 | 0-25.4mm/0-1.0" | 0.001mm/0.00005" | 0.008mm/0.0003" | 0.003mm/0.0001" |
| IDE111M/IDE111MW-50 | 0-50.8mm/0-2.0" | 0.001mm/0.00005" | 0.010mm/0.0004" | 0.003mm/0.0001" |
| IDE111M/IDE111MW-100 | 0-101.6mm/0-4.0" | 0.001mm/0.00005" | 0.015mm/0.0006" | 0.003mm/0.0001" |