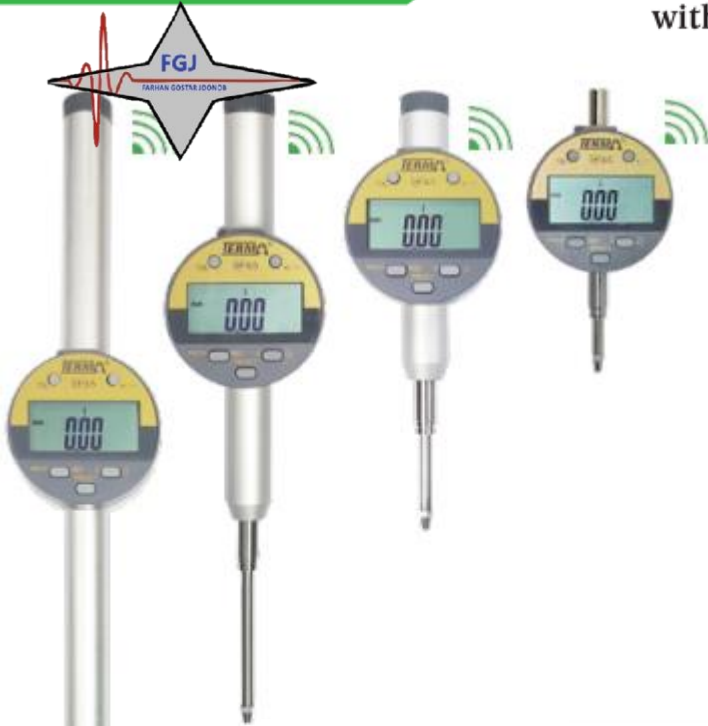


Water-Proof Digital Indicator
with inductive measuring system



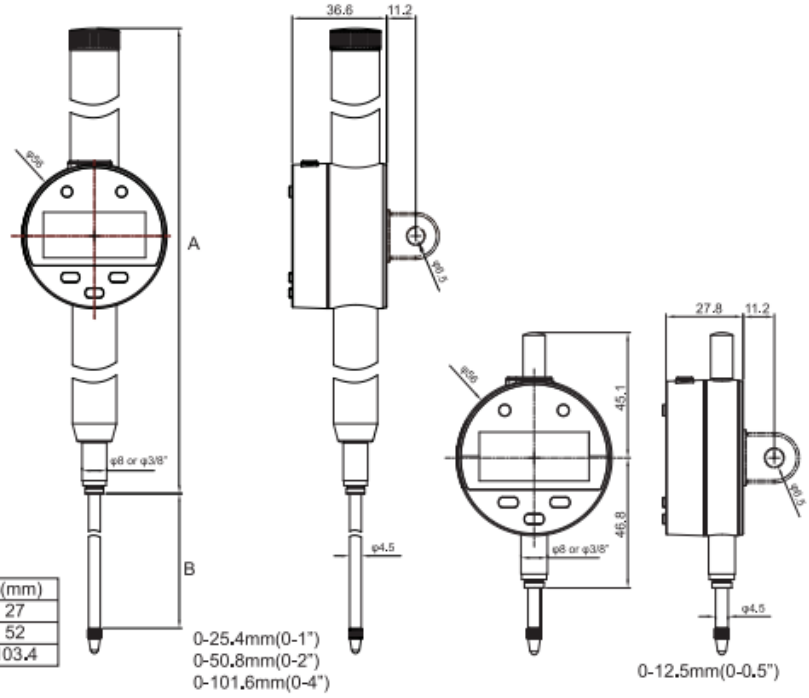
SPC
数据输出

iP65

SPC-B+C-01
SPC-W1-RS1,RS3
SPC-W2-RS1,RS3

IDE111N
IDE111NW

- * 电感测量系统
- * IP65防护等级
- * 3V锂电池CR2032, 电池寿命>1年
- * 带SPC数据输出(内置无线传输机型, SPC输出端口仅作为外部电源供电输入端口)
- * 内置无线传输(可选择)
- * 可设置公差, 并进行GO/NG判断
- * 可设置“+”“-”显示方向
- * 模拟指针
- * Inductive measurement system
- * IP65 Protection grade
- * 3V Lithium battery CR2032, battery life > 1 year
- * SPC data output(To built in wireless transmission model, the SPC output port is only used as external power input port)
- * Built in wireless transmission (optional)
- * Tolerance preset and GO/NG judgement
- * “+” or “-” direction set
- * Analog pointer display



	A(mm)	B(mm)
0-25.4mm(0-1")	129.2	27
0-50.8mm(0-2")	179.7	52
0-101.6mm(0-4")	281.8	103.4

货号 Item	规格 SPEC	分辨率 Resolution	精度(公差带) Accuracy(Tolerance Range)	重复性 Repeatability
IDE111N/IDE111NW-12	0-12.7mm/0-0.5"	0.01mm/0.0005"	0.015mm/0.0006"	0.010mm/0.0004"
IDE111N/IDE111NW-25	0-25.4mm/0-1.0"	0.01mm/0.0005"	0.015mm/0.0006"	0.010mm/0.0004"
IDE111N/IDE111NW-50	0-50.8mm/0-2.0"	0.01mm/0.0005"	0.020mm/0.0008"	0.010mm/0.0004"
IDE111N/IDE111NW-100	0-101.6mm/0-4.0"	0.01mm/0.0005"	0.025mm/0.0010"	0.010mm/0.0004"