



IP65 Water-Proof Carbon Fiber Digital Caliper with inductive measuring system



CDE932
CDE932W

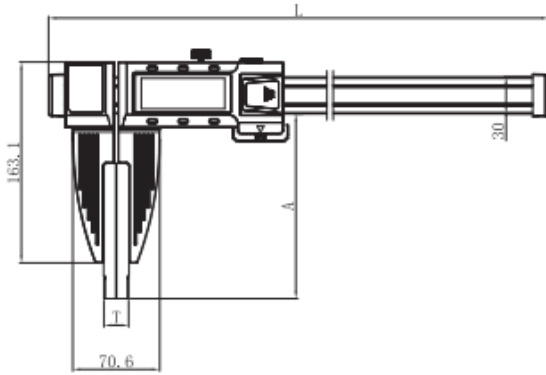
IP65

SPC
数据输出

SPC-B+C-04
SPC-W1-RS,RS2
SPC-W2-RS,RS2
SPC-W3-RS

- * 电感测量系统
- * IP65防护等级，确保卡尺在恶劣的环境中也能可靠工作
- * 3V锂电池CR2032，电池寿命>1年
- * 带SPC数据接口
- * 内置无线传输(可选择)
- * 圆弧型内测量面
- * 含预设功能
- * 主尺采用碳纤维材料

- * Inductive measurement system
- * IP65 protection grade, caliper can work reliably in hard environment
- * 3V lithium battery CR2032, battery life > 1 year
- * SPC data output
- * Built in wireless transmission(optional)
- * Round measuring faces
- * SET button for preset function
- * Main frame is made of carbon fiber



	A(mm)	T(mm)	L(mm)
0-600mm	138	20(0.8")	826
0-600mm	200	20(0.8")	826
0-600mm	300	20(0.8")	826
0-1000mm	138	20(0.8")	1226
0-1000mm	200	20(0.8")	1226
0-1000mm	300	20(0.8")	1226
0-1000mm	500	20(0.8")	1226
0-1500mm	150	20(0.8")	1736
0-1500mm	300	20(0.8")	1736
0-1500mm	500	20(0.8")	1736
0-2000mm	200	20(0.8")	2246
0-2000mm	300	20(0.8")	2246
0-2000mm	500	20(0.8")	2246
0-2500mm	200	20(0.8")	2756
0-2500mm	300	20(0.8")	2756
0-2500mm	500	20(0.8")	2756
0-3000mm	200	20(0.8")	3266
0-3000mm	300	20(0.8")	3266
0-3000mm	500	20(0.8")	3266

货号 Item	量爪 Claw	规格 SPEC	分辨率 Resolution	精度(公差带) Accuracy(Tolerance Range)
CDE932-600/CDE932W-600	138	0-600mm/0-24"	0.01mm/0.0005"	0.05mm/0.002"
CDE932-600/CDE932W-600	200	0-600mm/0-24"	0.01mm/0.0005"	0.07mm/0.003"
CDE932-600/CDE932W-600	300	0-600mm/0-24"	0.01mm/0.0005"	0.10mm/0.004"
CDE932-1000/CDE932W-1000	138	0-1000mm/0-40"	0.01mm/0.0005"	0.06mm/0.0025"
CDE932-1000/CDE932W-1000	200	0-1000mm/0-40"	0.01mm/0.0005"	0.10mm/0.004"
CDE932-1000/CDE932W-1000	300	0-1000mm/0-40"	0.01mm/0.0005"	0.13mm/0.0055"
CDE932-1000/CDE932W-1000	500	0-1000mm/0-40"	0.01mm/0.0005"	0.20mm/0.008"
CDE932-1500/CDE932W-1500	150	0-1500mm/0-60"	0.01mm/0.0005"	0.13mm/0.0055"
CDE932-1500/CDE932W-1500	300	0-1500mm/0-60"	0.01mm/0.0005"	0.17mm/0.007"
CDE932-1500/CDE932W-1500	500	0-1500mm/0-60"	0.01mm/0.0005"	0.30mm/0.012"
CDE932-2000/CDE932W-2000	200	0-2000mm/0-80"	0.01mm/0.0005"	0.17mm/0.007"
CDE932-2000/CDE932W-2000	300	0-2000mm/0-80"	0.01mm/0.0005"	0.20mm/0.008"
CDE932-2000/CDE932W-2000	500	0-2000mm/0-80"	0.01mm/0.0005"	0.35mm/0.014"
CDE932-2500/CDE932W-2500	200	0-2500mm/0-100"	0.01mm/0.0005"	0.20mm/0.008"
CDE932-2500/CDE932W-2500	300	0-2500mm/0-100"	0.01mm/0.0005"	0.23mm/0.009"
CDE932-2500/CDE932W-2500	500	0-2500mm/0-100"	0.01mm/0.0005"	0.38mm/0.015"
CDE932-3000/CDE932W-3000	200	0-3000mm/0-120"	0.01mm/0.0005"	0.22mm/0.009"
CDE932-3000/CDE932W-3000	300	0-3000mm/0-120"	0.01mm/0.0005"	0.25mm/0.01"
CDE932-3000/CDE932W-3000	500	0-3000mm/0-120"	0.01mm/0.0005"	0.40mm/0.016"